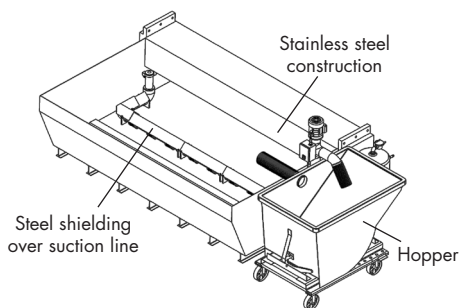
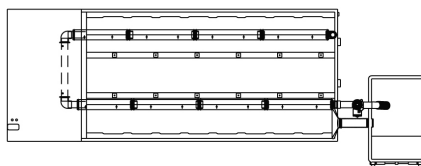




## PRECISION ABRASIVE WATERJET SYSTEMS



OMAX SRS Shown on Model 55100.



Top View of Completed Assembly on Model 80160

### Equipment Specifications

## SRS

### Standard Features

- 3/4 yard hopper that includes liner for ease of dumping garnet from hopper
- System drive, 1/2 hp motor
- Stainless steel construction on external portion of suction line
- Suction line flushing feature
- UL compliance
- GFCI protection in control box
- Electrical requirement: 110/220 VAC Single Phase 20A

### Benefits

- Garnet removal rate as high as 5.6 lbs/min
- Easier cleanup reduces the need to shut down the system to clean the garnet from tank
- Minimal floor space utilization, 21sq.ft.
- Steel shield protects suction line from being damaged during part cutting
- Suction line power unit can be removed if material needs to be loaded from the side of tank
- Operates unattended — shutdown is periodically necessary to remove metal slugs from catcher tank
- Lower cost than having the tank cleaned out with a catcher tank pump truck

## OMAX® Solids Removal System

The Solids Removal System is designed for tough industrial use.

OMAX has developed a Solids Removal System for Models 2626, 2626|xp, 2652, 5555, 55100, 60120, 80160 and the 80X (shown above on Model 2652). The garnet is removed from the catcher tank and deposited into a hopper. Water from the hopper flows back to the tank without the use of a pump (gravity return).

# SRS

### About OMAX

OMAX has the industry leading patented abrasivejet controller with a built-in expert system. Our exclusive "Compute First-Move Later" motion control system automates most programming and tool setup work, virtually eliminating the need for extensive operator training. Plus, with free OMAX Intelli-MAX® Software upgrades for the life of the machine and our ongoing commitment to advance the efficiency of our technology and software, OMAX saves you time and money.



### WORK SMART



The OMAX Technology Guarantee entitles you, as the original owner, to free OMAX software upgrades for the life of the machine.

### OMAX Corporation

21409 72nd Ave South, Kent, WA 98032  
253-872-2300 **tel** 253-872-6190 **fax**  
1-800-838-0343 **toll-free**  
**WWW.OMAX.COM website**